

BMW 7 Series  
High Security



Sheer  
Driving Pleasure



# THE BMW 7 Series HIGH SECURITY.

SECURITY IS MORE THAN JUST A FEELING.  
SECURITY MEANS KNOWING YOU'RE READY  
FOR ANYTHING.





## The BMW 7 Series High Security

### RESPONSIBILITY.

#### 08 Driving experience

Impressive performance meets maximum safety.

#### 10 Customization

Form and function – together in perfect harmony.

#### 12 Dynamism

Sheer agility plus perfect protection.

#### 14 Discretion

Anonymity and style.

#### 18 Interior

Security at its most elegant.

## Technology

### PRECISION.

#### 30 Protection

Exemplary safety.

#### 36 Performance

Maximum protection, minimum consumption.

## Equipment

### DIVERSITY.

#### 40 Engine

#### 42 Additional features

## Overviews

### THE VERSATILITY OF THE BMW 7 SERIES HIGH SECURITY – AN OVERVIEW.

#### 48 Technical data and information concerning fuel consumption and CO<sub>2</sub> emissions

#### 49 Full range

#### 50 BMW Service and BMW Brand World

Exclusive offers for BMW customers.

<http://www.bmw-security-vehicles.com>

## Editorial

# THE ULTIMATE IN SECURITY.

People with high standards don't want to be forced to choose between security and comfort. Which is why the BMW 7 Series High Security delivers both: on the one hand, it's a maximum-security vehicle that satisfies the most stringent security regulations and is ready, willing and able to tackle every conceivable situation. On the other, it's also a saloon that effortlessly sets new standards as regards comfort, spaciousness and customized equipment.

The designers and engineers at BMW have taken a fundamental look at the BMW 7 Series and gone the extra mile to deliver maximum protection without in any way diminishing its imposing presence. For its occupants, the upshot is that reassuring confidence that comes with knowing they're riding in a vehicle that is both a paragon of security and a model of poise and sophistication.

#### Features in the model presented here: BMW 760Li High Security

Engine:	760Li
Transmission:	eight-speed automatic transmission
Performance:	400 kW (544 hp)
Tyre dimensions:	255/720 R 490 AC 117H
Wheel dimensions:	245 x 490 AC PAX light-alloy
Exterior colour:	Sophisto Grey II Metallic, Brilliant Effect
Upholstery:	Oyster Dakota leather
Interior trim:	fine wood finish, walnut with inlay

Information on fuel consumption and CO<sub>2</sub> emissions: p. 48

# RESPONSIBILITY.

**Pure protection that keeps its promises:**

**BMW High Security.** Some people shoulder great responsibility on a daily basis – putting themselves at risk in the process. To help them get where they need to go and arrive fresh and relaxed, what's needed is a saloon car that offers the highest possible levels of security en route. With the BMW 7 Series High Security, BMW is the first

manufacturer to offer vehicles that are fully compliant with the requirements of the class VR7 ballistic protection standard as set out in the strict BRV 2009 security guidelines. Also included in the package is a driving experience that's fully rounded and uncompromising. Superior protection – leaving the occupants free to focus on their own unique strengths.



THE BEST WAY TO MEET HIGH STANDARDS IS TO EXCEED THEM.

People who bear the greatest responsibilities should be able to rely on the greatest protection – without having to sacrifice the unique driving experience that only a BMW 7 Series can offer. BMW has been setting new standards in the design and construction of armoured vehicles for over 35 years. The BMW 7 Series High Security is a logical continuation of this tradition, allowing passengers to climb in, settle back and relax in the generously proportioned rear, knowing they're surrounded by total security.



Leaders have enough to think about without worrying about their personal safety. Now, with dependable security assured thanks to the uncompromising BMW approach, they don't have to. Every BMW 7 Series High Security is custom-built, and every stage of the process is carried

out with a craftsman's attention to detail. The result is a vehicle that meets the highest standards of ballistic protection, while also fulfilling the most individual of requirements.



## DRIVING DYNAMICS – A KEY SECURITY FEATURE.

Dealing with difficulties quickly and decisively requires the ability to perform on demand. The BMW 7 Series High Security offers the highest possible levels of protection – while also offering drivers the characteristic dynamic responses of a BMW. Modified suspension, superb engine performance and intelligent use of materials all help ensure that at critical moments, the BMW 7 Series High Security can always rise to the challenge.





UNIQUE DESIGN, DISTINCTIVE DYNAMICS, DISCREET APPEARANCE –  
SECURITY CAN STILL LOOK GOOD WITHOUT ATTRACTING ATTENTION.





## A SPECTACULAR WAY TO GO UNNOTICED.

Anonymity is a powerful security measure. The BMW 7 Series High Security is a striking and elegant vehicle, every bit as imposing as the standard model – but its security modifications are almost invisible. From the armour plating and ballistic safety glass to the runflat tyres, all the security equipment has been designed to offer optimum protection while attracting minimum attention.



COMPLETE COMFORT, TOP-QUALITY MATERIALS, MAXIMUM PROTECTION –  
YOU HAVE TO FEEL TOTALLY AT EASE TO FEEL TOTALLY SECURE.



## FLEXIBILITY.

**Security while driving depends largely on the driver.** That's why at BMW, the driver has always been at the centre of our thinking. The slight angling of the centre console towards the steering wheel was a distinctive design feature of the very first BMW 7 Series. In the BMW 7 Series High Security, it's symbolic of how the whole cockpit is built around the driver. A wealth of innovations ensures drivers can see exactly what is going on around them at all times, and react instantaneously when necessary. Only BMW includes functional bookmarks – user-programmable favourite buttons that drivers can use to summon help or to display the quickest route home using the latest generation of the Professional

Navigation system, all at the touch of a button – and as standard. The innovative iDrive control system can also be used to operate security equipment such as warning lights, sirens and a two-way radio. And the optional BMW Night Vision system redefines what it means to keep an eye on the road. With its long-distance infrared technology, the camera can pick out people on the carriageway at a range of up to 300 metres, even in the dark or when visibility is poor, while the Dynamic Light Spot function augments the thermal image to illuminate people the camera has already recognized.





The sort of person who pushes themselves to their limits every day needs to make sure they find time to relax. And the BMW 7 Series High Security is the perfect place to do just that. It offers a stylish and roomy space where cares and troubles seem far away. This is why the

BMW 7 Series High Security is only available in the long wheelbase version, and why it offers such an enormous range of equipment and trim options. That way, the occupants can focus on the task at hand – even if that task is just to relax.



## A SENSE OF TOTAL FREEDOM.

Status, pressure, responsibility: the sort of people who sit here will be used to high-level dealings and constant challenges. The time they spend in the back of the BMW 7 Series High Security will be a special experience for them – a place where they are protected on all sides, yet free to stretch out and relax. The BMW 7 Series High Security is ready to meet any challenge, with a comprehensive security package that can be augmented and modified with almost everything the customer wants. After all, each individual has differing security requirements – and BMW is always happy to discuss and respond to individual requests and suggestions.





## SHEER CLASS.

**The best seat in the house.** The optional Professional rear-seat entertainment system provides first-rate entertainment, with two 9.2-inch colour screens allowing the passengers to watch DVDs, follow the car's progress via the navigation system or go on the Internet. The system is controlled via its own iDrive controller in the centre console. A special

rear air conditioning system is also available, and the seat temperature too can be adjusted, with cool air being blown at the body through perforations in the leather. And to complete the relaxing effect, there is the optional new massage function in the rear-seat backrests.

# PRECISION.

**Security without compromise.** Personal security is too vital to be entrusted to anyone but real experts. Naturally, every BMW is built with enormous precision and care, and the strictest quality standards are adhered to throughout the

global BMW manufacturing network. But because security is paramount, every single BMW 7 Series High Security vehicle is custom-built. This is why only BMW offers maximum protection – made by BMW.



# READY FOR ANYTHING.

If you want to develop protection that works in the greatest possible variety of danger situations, the one thing you can't afford to do is rest on your laurels. A principle that's been taken very much to heart in creating the BMW 7 Series High Security.





After all, the most important factor is not the vehicle, but the human being inside it. The BMW 7 Series High Security is the world's first armoured saloon to be fully tested in accordance with the class VR7 ballistic protection standard, and in fact, many parts of it are actually compliant with the class VR9 standard.\* But even that was not enough for BMW – which is why the vehicle was subjected to a rigorous programme of extra tests that go far beyond the official requirements of the ballistic BRV 2009 guidelines for armoured vehicles.

To make sure the BMW 7 Series High Security was a truly safe vehicle, BMW specialists subjected it to the most extreme tests they could devise. The vehicle as a whole – as opposed to the individual armour components – was fired at with a wide variety of weapons, using different sorts of ammunition and from a range of angles. The result is the first armoured saloon to have been certified in its entirety for

compliance with the class VR7 ballistic protection standard by a German government test facility (tested as per BRV 2009 guidelines). In fact, the non-transparent area and large parts of the transparent area even fulfil the requirements of the class VR9 standard (tested as per BRV 2009 guidelines).

Full metal jacket and armour-piercing, rigid core ammunition, explosives and hand grenades: the comprehensive testing regime confirmed that the armour of the BMW 7 Series High Security can withstand terrorist attacks. The edges of the doors, the places where windows meet frames, and the joints between body panels are obviously the most vulnerable parts of the vehicle – so of course particular reinforcements are incorporated in all these areas.

-  M 16  
5.56 x 45 (SS 109)
-  Heckler & Koch G3  
7.62 x 51
-  Steyer AUG  
5.56 x 45
-  FN FAL  
7.62 x 51 AP
-  Kalaschnikow RPK-74  
5.45 x 39
-  Kalaschnikow AK-47  
7.62 x 39



\* The vehicle as a whole complies with the requirements for class VR7 ballistic protection (tested as per BRV 2009 guidelines). The non-transparent area and many parts of the transparent area comply with the requirements for class VR9 ballistic protection (tested as per BRV 2009 guidelines).

# ONE OF A KIND.



The security functions of the BMW 7 Series High Security are designed around the form of the standard vehicle. This keeps the vehicle as discreet as possible while ensuring that the overall harmony of the design – the dynamic proportions, the sculptural surfaces, the elegant lines – remains unaffected.

Then, at the BMW High Security Workshop, an extra 420 hours of work goes into each car, ensuring that the security modifications are incorporated to the highest standards imaginable and that all the customer's individual wishes are taken care of. The custom-manufacturing process also means that the airbags can stay in their usual places, thereby preserving the spacious feel of the interior. Thanks to a special manufacturing process, the number of separate armour components required has been reduced by around 20 per cent. The optimized armour plates are made from an incredibly strong special steel, and fit the bodywork of the car like a second skin. And reducing the number of components also increases the level of protection for the occupants, as there are far fewer potential points of vulnerability.





## WHEN EVERY SECOND COUNTS, POWER BECOMES A SECURITY FEATURE.



That's why BMW vehicles deserve nothing less than the best engines in the world – and none more so than the BMW 7 Series High Security. Because optimum protection is not achieved through innovative armour technologies alone, but by combining them with maximum vehicle responsiveness. But the BMW TwinPower Turbo 12-cylinder petrol engine available for the BMW 7 Series High Security doesn't just deliver impressive acceleration (the BMW 760Li High Security can go from 0 to 100 km/h in 6.2 seconds),

it is also surprisingly economical by virtue of its advanced technology. As a result, the BMW 7 Series High Security is not just a leader in engine and protective performance – it sets a good environmental example too.

# DIVERSITY.

**Tailoring protection to suit individual needs.** Security means different things to different people. That's why the BMW approach to security is fully focused on delivering diversity, providing countless equipment options and hence a virtually limitless range of possibilities for making sure the

BMW 7 Series High Security is ideally equipped to handle even the most extreme situations. So whatever the journey, diversity means peace of mind.

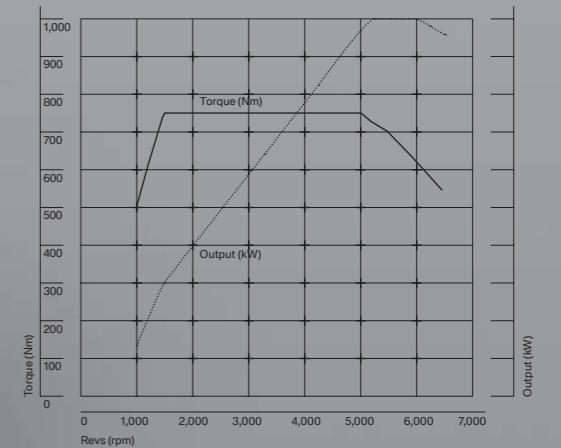
## Effortless power delivery.

For a top-level armoured saloon, only the best engines will do. And that means BMW engines. The chassis, electronic driver aids and brakes have all been precisely recalibrated to take into account the increased vehicle weight. As a result, the responses are almost indistinguishable from the corresponding standard models, ensuring the unique BMW driving experience is retained. The raw numbers are impressive enough, but what truly takes the breath away is how effortlessly and economically the high-performance engine accelerates the BMW 7 Series High Security, at all speeds.

The fuel consumption figures are startling for a vehicle of this type: the BMW 760Li High Security uses 14.5 litres per 100 kilometres.\* The BMW TwinPower Turbo technology combines two turbochargers with twin VANOS and High Precision Injection – an engineering masterpiece that delivers serene throttle responses, giving BMW 7 Series High Security drivers the reserves of power they need to respond instantaneously to any situation.



Power curve for BMW 760Li (V12)



\*For further information on fuel consumption and CO<sub>2</sub> emissions, please see page 48. For comprehensive information, please see the price list.

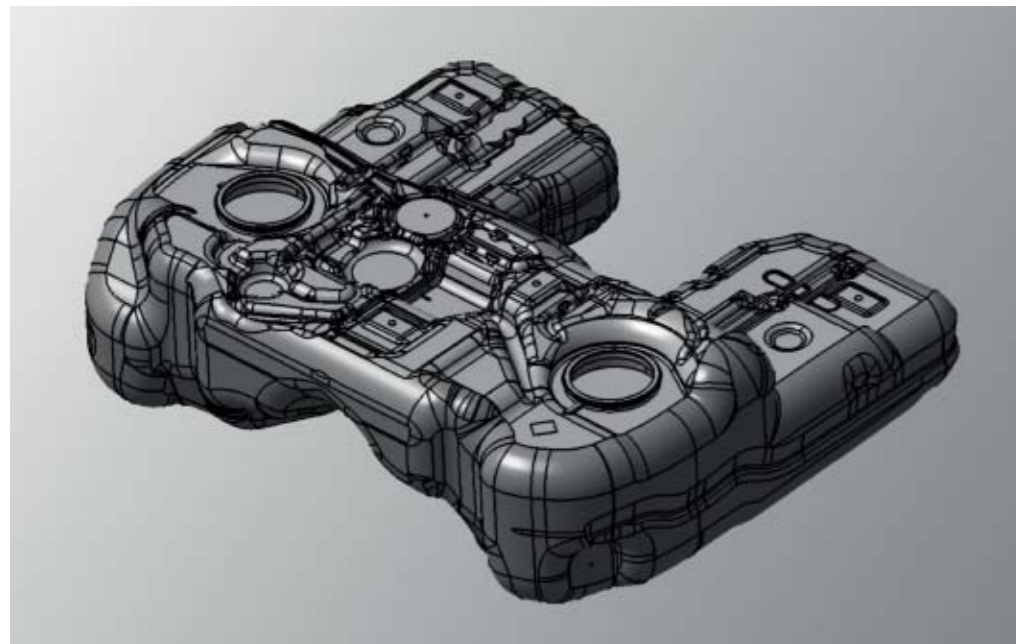
**Total security – it's a great feeling.**

For example, the vehicle floor is fitted with an aramid-underlaid steel plate to protect against hand grenades. Special glazing, armouring of joins, a safety fuel tank (optional), and modified suspension and brakes: innovative technologies that are individually impressive – and collectively unbeatable.



**Side windows and doors: maximum protection and convenience.**

Special composite glazing is used for the side windows. Customers can choose whether or not these can be opened. Furthermore, the doors retain the full functionality of the standard design and open out just as far, despite the extra mass of the armour, allowing you to make a stylish entrance, even with maximum security measures in place.



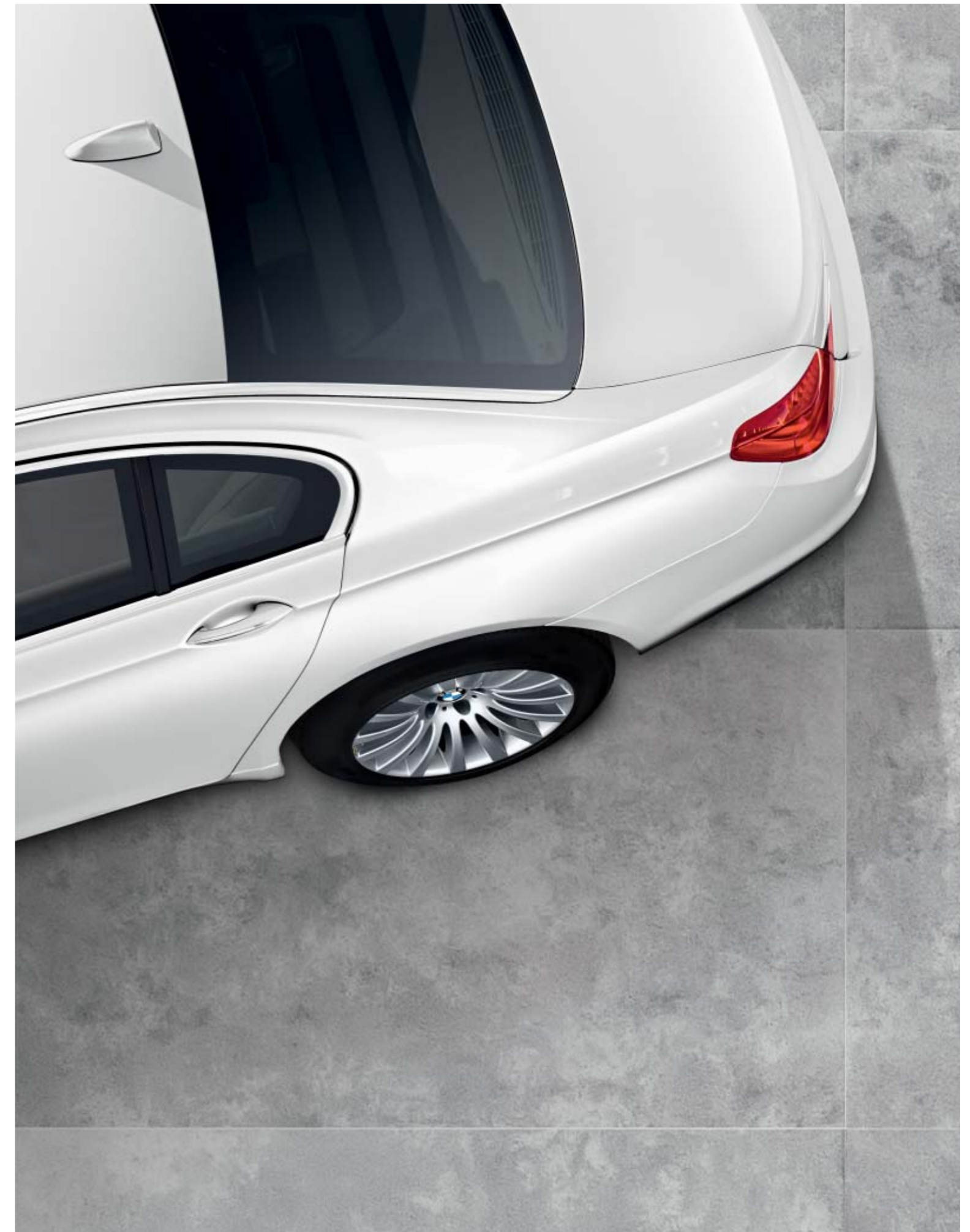
**Self-sealing when shot: the safety fuel tank (optional).**

In the BMW 7 Series High Security, this especially vulnerable area receives special protection: the outer walls of the tank are self-sealing to prevent any leakage.



**Keeping you mobile when it matters most: runflat tyres.**

Runflat tyres with a semi-rigid ring (Michelin PAX system) are fitted as standard, allowing the vehicle to continue for approximately 50 kilometres, at speeds of up to 80 km/h, even after a sudden loss of tyre pressure. Unlike conventional runflat tyres, these have a semi-rigid ring mounted around the rim base, preventing the tyre from flying off the rim. In the event of a loss of pressure, the weight of the vehicle is borne by the ring, thereby ensuring continued good handling. Meanwhile, the driver is notified of the loss of pressure and is therefore able to respond properly to this hazardous situation.



**Perfect protection means being ready for all eventualities.**

The engineers at BMW are always coming up with new solutions designed for different scenarios. Be it a fire in the engine compartment or under the vehicle, tear gas on the streets or a jammed door, in the BMW 7 Series High Security you can be confident your vehicle can handle it.

For example, highly sensitive temperature sensors automatically activate the fire extinguisher system when needed. Another sensor monitors air composition – once a certain level of tear gas is registered, the interior protection facility is activated manually and the optional emergency fresh-air system ensures a temporary supply

of breathable air to the occupants. Emergency exit via the front windscreen has been further optimized, and thanks to a special device it is now easier and quicker to operate. And it goes without saying that BMW is always ready and willing to realize even the most specialized individual requirements for security features.



**On-board fire-fighting system.**

Two extinguisher reservoirs are built into the luggage compartment and connected directly to the fire-extinguishing ducts. The fire-fighting system can be triggered by the temperature sensors in the underbody or

activated manually. Should a fire occur in the underbody, on the tyres or under the bonnet, it will be extinguished and the passenger compartment automatically ventilated.



**Emergency exit via front windscreen.**

The front windscreen can be used as an emergency exit. The mountings and seals are released using pyrotechnic detonations and the windscreen can then be pushed out, allowing the occupants to leave the vehicle.



**Emergency fresh-air system.**

The emergency fresh-air system ensures an independent oxygen supply. A compressed air tank pumps oxygen into the passenger compartment and the slight increase in pressure prevents gases from entering, thereby ensuring a supply of breathable air.



### A statement of authority.

Sometimes you need more than just protection. For roles such as carrying dignitaries or security escort duties, a vehicle must have the ability to reveal in seconds that it is on official business in order to get the job done. BMW has been producing Authority Vehicles for over 50 years, working in close cooperation with authorities and government agencies all over the world. Flashing lights, hailing systems with different siren effects, signalling devices, radios, and even flag holders for official use: the BMW 7 Series High Security is ready to handle any mission and any situation, in any country.



### LED flashing lights.

These can be located discreetly behind the BMW kidney grille, remaining unnoticed unless the need arises for special signals – e.g. when driving in a convoy. These lights quickly identify the BMW as an official vehicle.



### Flag holder for diplomatic and official use.

This can be located discreetly on the bonnet, at either side. On formal and official trips, it is often mandatory for vehicles belonging to official bodies, governments and embassies to have flags on display. A holder for such official flags is available on request.



### Flashing beacon for the roof.

The flashing beacon attaches itself to the roof magnetically. The holder is located in the luggage compartment, or, if required, in the driver's door, keeping it within easy reach for deployment while driving.



### Radio or firearm bracket.

BMW offers tailored solutions for the installation of radio and firearm brackets, catering for different types of weapons and radios. Depending on your requirements, brackets can be fitted in locations such as the centre armrest, the interior door panels or in the glove compartment.



## BMW 7 Series High Security – technical data.

<b>BMW 7 Series High Security</b>	<b>760Li Saloon</b>
<b>Engine</b>	
Layout/no. cylinders	V/12
Capacity	cm <sup>3</sup> 5,972
Max. output	kW/hp/rpm 400 (544)/5,250

<b>Performance</b>	
Max. speed (electronically regulated)	km/h 210
Acceleration 0–100 km/h	s 6.2

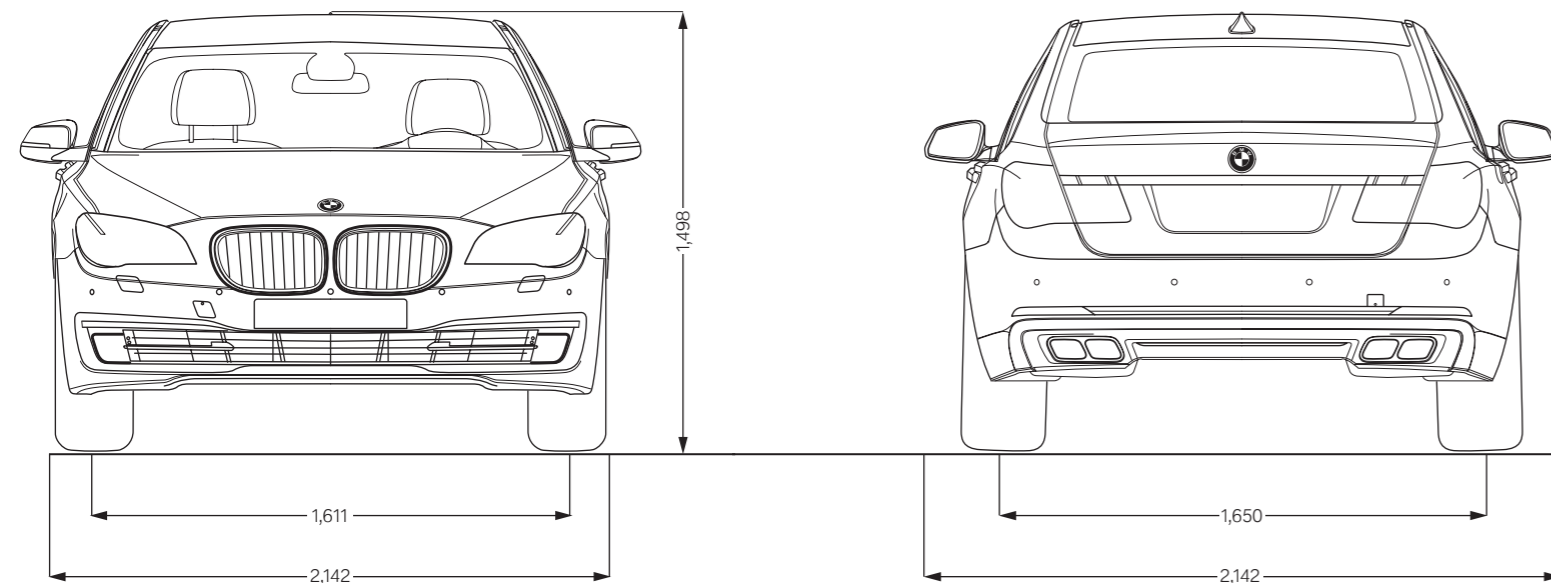
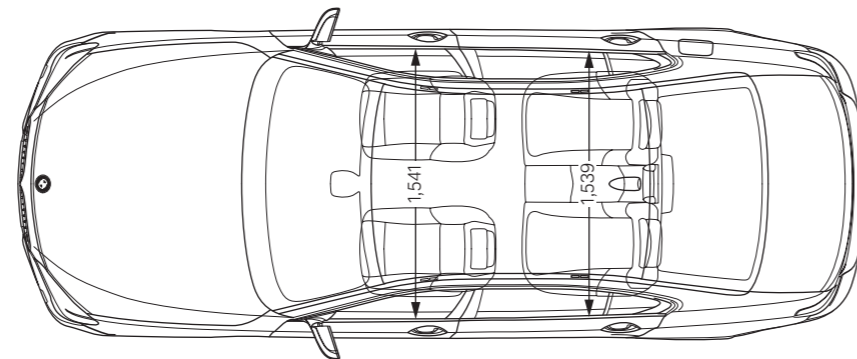
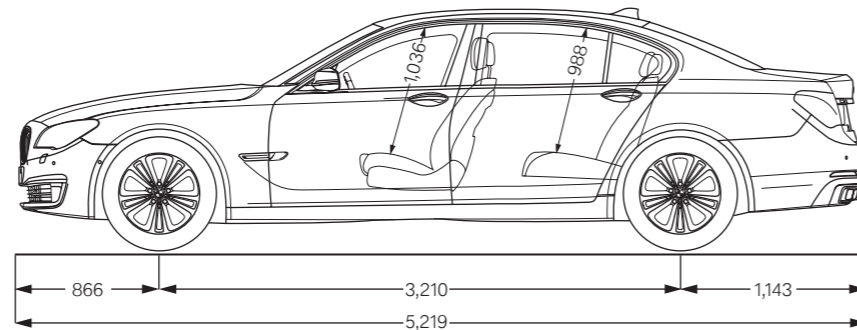
<b>Fuel consumption<sup>1</sup></b>	
Urban	l/100 km 22.6
Extra-urban	l/100 km 10.5
Combined	l/100 km 14.9
CO <sub>2</sub> emissions	g/km 350
Range	km 550
Capacity	litres (approx.) 82

<b>Wheels</b>	
Tyre dimensions	255/720 R 490 AC 117H
Wheel dimensions	245 x 490 AC PAX light-alloy

<b>Weights</b>	
Unladen weight, DIN/EU <sup>2</sup>	kg 3,825
Max. total weight/load	kg 4,200/450
Luggage capacity	l 315
Seats	4

<sup>1</sup> The engine complies with the EU5 emissions standard. Fuel consumption is determined in accordance with the ECE driving cycle as defined in Directive 80/1268/EEC, made up of one third urban and two thirds extra-urban driving (based on the distance covered). CO<sub>2</sub> emissions are measured separately from fuel consumption. Figures relate to standard-specification vehicles, and may vary significantly where optional equipment (including wider tyres) is fitted.

<sup>2</sup> Assuming car is fuelled to 90% of usable tank capacity, and allowing 68 kilograms for the driver and 7 kilograms for luggage. Figure quoted is for standard-specification vehicles. Optional equipment will increase this figure.



## The right level of protection for any threat.

How much protection you need depends on your circumstances – where you live and work, what your job involves, how high your public profile is. BMW is the only manufacturer that takes into account these differing needs by offering three levels of security, all of them drawing on more than 30 years' experience of building armoured vehicles. As such, BMW offers the world's most comprehensive range of solutions for secure road travel – meaning everyone can get just what they need to feel safe.



BMW 7 Series High Security

The BMW 7 Series High Security safeguards high-ranking social and political dignitaries and corporate executives against terrorist attack with heavy-calibre ammunition and explosives. The vehicle as a whole meets the new class VR7 ballistic protection standard, and many areas in fact offer class VR9 protection.\*

### HIGH SECURITY



BMW X5 Security Plus

The BMW X5 Security Plus offers class 6 ballistic protection (tested as per APR 2006 and BRV 1999 guidelines), meaning it is also secure against the world's most widespread firearm, the AK-47.

### SECURITY PLUS



BMW X5 Security

The BMW X5 Security offers class VR4 ballistic protection (against blunt instruments and handguns of up to .44 Magnum calibre, tested as per BRV 1999 guidelines), making them the ideal way to counter the threat of street crime.

### SECURITY

\* The vehicle as a whole complies with the requirements for class VR7 ballistic protection (tested as per BRV 2009 guidelines). The non-transparent area and many parts of the transparent area comply with the requirements for class VR9 ballistic protection (tested as per BRV 2009 guidelines).

## BMW Service – for support on every journey.

Ultimate service for ultimate security. Routine maintenance and repairs to the security modifications can be carried out at selected locations all over the world by specially trained BMW experts, backed by a dedicated team of BMW 7 Series High Security specialists in Munich who will come and help on the ground if required. Naturally, BMW Security Vehicles come with the same comprehensive warranty as standard BMW models. Our global logistics network ensures spare parts for the BMW 7 Series High Security can be delivered rapidly anywhere in the world.

When you choose one of the various BMW Service Inclusive packages, you pay a fixed price and can then relax, safe in the knowledge that all the services included in your package are covered for a set time period or mileage, irrespective of how many times you require them. For more information, contact your BMW dealer. Because part of security is knowing that we're always there for you.



## Training for the worst-case scenario is a good way to make sure it never happens.

The BMW approach to security goes beyond just the vehicle itself. Specially-tailored Driver Training courses are also available, teaching skills that are useful to any Security Vehicle driver and demonstrating how to get the most out of the BMW 7 Series High Security. Drivers are given the opportunity to practice the best ways to handle dangerous situations – because that way, hopefully these situations will never arise.



### Basic Security Driver Training (one day).

Focuses on the fundamentals of driving dynamics and vehicle handling, as well as negotiating everyday traffic safely, with both theoretical and practical elements. This training module is carried out in unarmoured vehicles.

### Advanced Security Driver Training (two days).

Building on what drivers learned from Basic Security Driver Training, this module deepens participants' theoretical and practical knowledge of driving dynamics and vehicle handling. It also covers more challenging manoeuvres at higher speeds, such as double lane changes and escape turns, which participants practise in armoured vehicles.

### Intensive Security Driver Training (three days).

This takes what participants learned in the Advanced Security Driver Training module to the next level, once again using a mixture of practice and theory. It also looks at what constitutes security-conscious driving, including ways of recognizing and reacting to potential danger situations. Practical exercises range from reverse slalom to coordinating tactical turns between multiple vehicles driving in convoy.

## Take delivery of a unique vehicle in a unique setting.

The first time you see your own BMW, touch it, climb inside and start the engine is a moment to treasure for any motorist – and the BMW 7 Series High Security is no exception to this. And now you

can turn this special moment into an unforgettable day out by opting to collect your vehicle in person at the new BMW Welt experience and vehicle delivery centre in Munich.

To learn more, please visit

[www.bmw-welt.com](http://www.bmw-welt.com)





The models, standard and optional equipment and combinability of options in this catalogue relate to cars supplied by BMW AG for the German market. The availability of standard and optional equipment, and the combinability of options, may vary from country to country within the European Union for all models. For detailed information about the situation in your country, please contact your local authorized BMW dealer. Subject to change in design and equipment. © BMW AG, Munich, Germany. Not to be reproduced, wholly or in part, without written permission of BMW AG, Munich.

BMW recommends  **EDGE**

